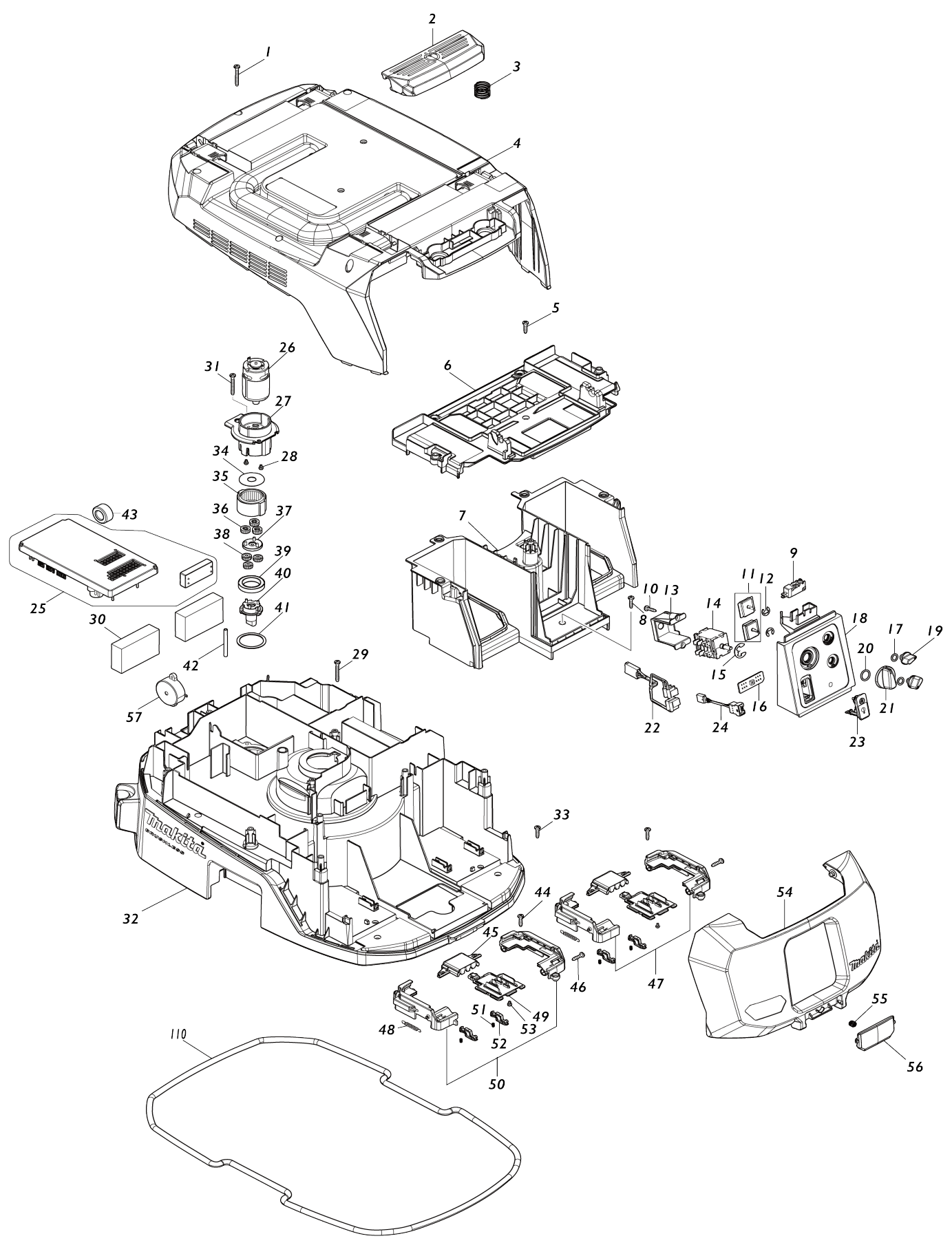
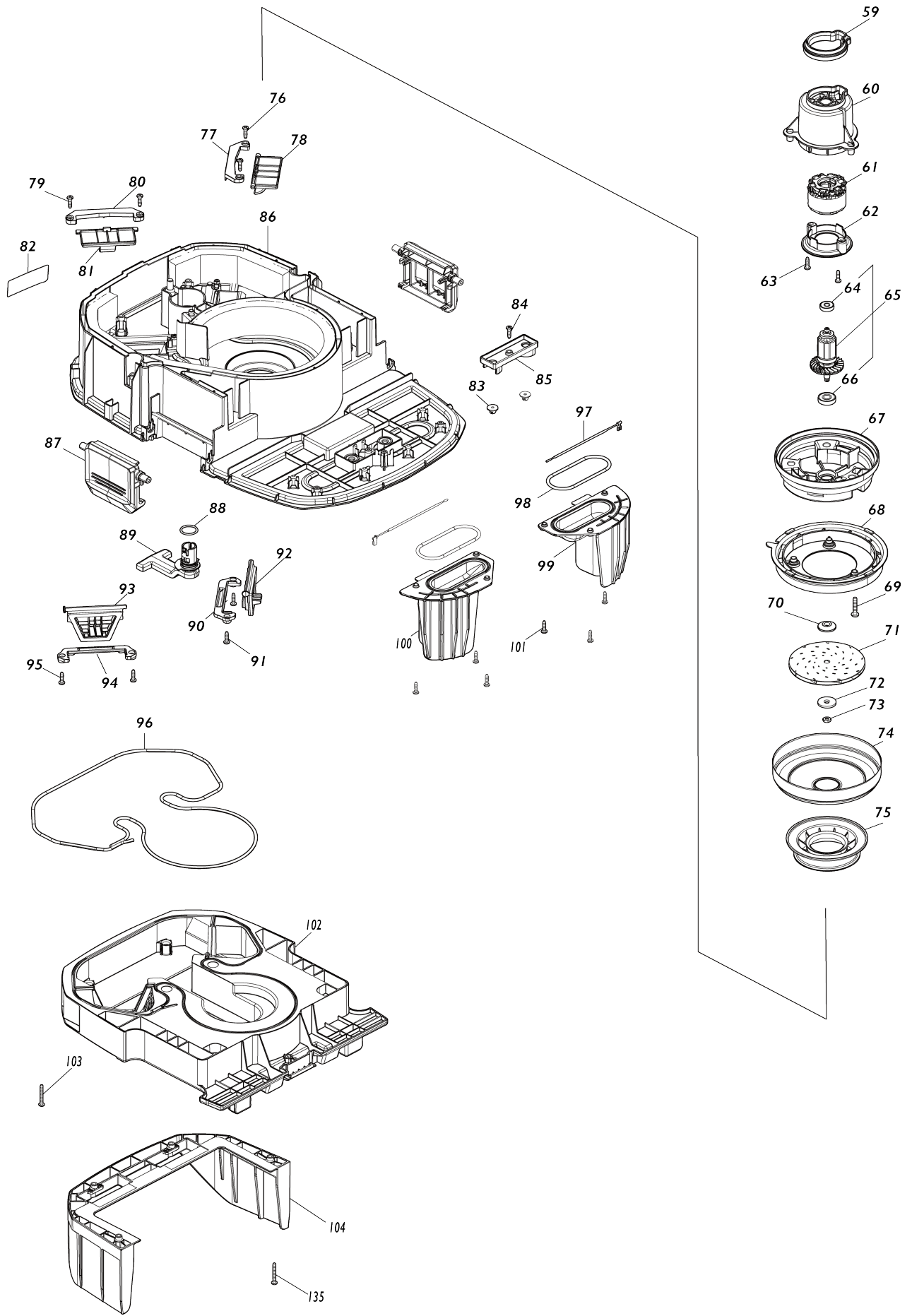


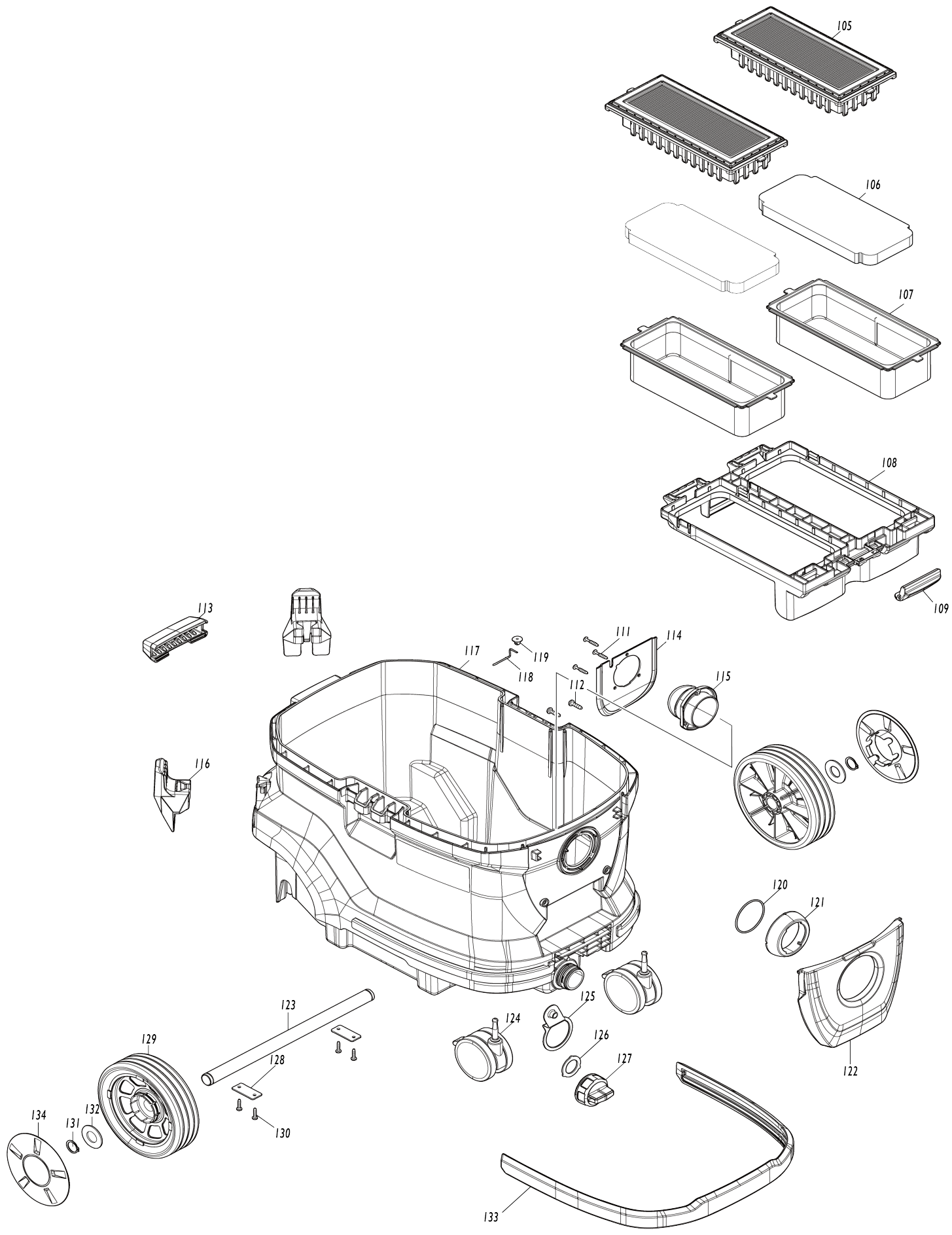
Model No.VC006GM CORDLESS VACUUM CLEANER



Model No.VC006GM CORDLESS VACUUM CLEANER



Model No.VC006GM CORDLESS VACUUM CLEANER



Model No.VC006GM CORDLESS VACUUM CLEANER

Item No.	Parts No.	Description
001	266351-3	TAPPING SCREW 4X35
002	413B26-9	SWITCH BUTTON
003	234273-5	COMPRESSION SPRING 20
004	141L64-8	COWLING COMPLETE
C10	8059E1-0	CAUTION LABEL
C20	413K73-4	GRIP
C30	413K74-2	LATCH
005	266326-2	TAPPING SCREW 4X18
006	413K69-5	UPPER HOUSING
007	413K68-7	LOWER HOUSING
008	266326-2	TAPPING SCREW 4X18
009	651910-0	SWITCH D2VW-01-3HS
010	266326-2	TAPPING SCREW 4X18
011	620H02-4	DIAL CIRCUIT
012	961013-5	STOP RING E-7
013	451343-7	SWITCH HOLDER
014	650014-5	SWITCH 1703.4803
015	961062-2	STOP RING E-12
016	620F40-4	INDICATION CIRCUIT
017	213054-0	O RING 9
018	141L60-6	SWITCH BASE A COMPLETE
C10	8056M2-6	INDICATION LABEL
019	451344-5	SWITCH DIAL
020	213176-6	O RING 14
021	451342-9	SWITCH LEVER
022	638A19-1	LEAD UNIT
023	141L63-0	CAP COMPLETE
024	632L47-4	CONNECTOR UNIT
025	620G99-7	CONTROLLER
026	629B77-4	DC MOTOR
027	454207-4	GEAR CASE
028	911003-8	PAN HEAD SCREW M3X6
029	266351-3	TAPPING SCREW 4X35
030	422929-4	REAR BLOCK FILTER
031	266351-3	TAPPING SCREW 4X35
032	141L58-3	SEPARATOR COMPLETE
033	266326-2	TAPPING SCREW 4X18
034	267067-3	FLAT WASHER 12
035	226285-2	INTERNAL GEAR 42
036	226283-6	SPUR GEAR 15
037	153228-0	SPUR GEAR 9 COMPLETE
038	226284-4	SPUR GEAR 15
039	211375-4	BALL BEARING 6805LLB
040	135554-9	SPINDLE ASSEMBLY
041	267464-3	FLAT WASHER 34
042	684990-1	VINYL TUBE
043	688131-1	LINE FILTER

043-1	688131-1	LINE FILTER
044	266326-2	TAPPING SCREW 4X18
045	413B40-5	TERMINAL COVER
046	266326-2	TAPPING SCREW 4X18
047	183U06-0	TERMINAL CASE SET
048	232722-6	TENSION SPRING 4
049	632T08-2	TERMINAL UNIT
050	183W98-1	TERMINAL CASE SET
051	232472-3	COMPRESSION SPRING 2
052	413B41-3	LOCK LEVER
053	652031-1	PAN HEAD SCREW M3X6
054	183X55-5	BATTERY COVER SET
C10	8059D9-7	XGT LOGO LABEL
055	231456-8	COMPRESSION SPRING 7
056	413K71-8	BATTERY COVER HOOK
057	620J90-3	BUZZER CIRCUIT
059	422926-0	RUBBER RING
060	413K59-8	MOTOR HOUSING
061	629B75-8	STATOR
062	413K60-3	BAFFLE PLATE
063	266326-2	TAPPING SCREW 4X18
064	210022-4	BALL BEARING 626DDW
065	519777-1	ROTOR ASS'Y
065		INC. 64,66
065-1	519777-1	ROTOR ASS'Y
065-1		INC. 64,66
066	211491-2	BALL BEARING 609DDW
067	413K61-1	BASE
068	413K62-9	FAN BASE
069	266173-1	TAPPING SCREW 5X30
070	313062-2	FLANGE
071	240178-9	FAN 104
072	253752-4	FLAT WASHER 8
073	252268-6	HEX. NUT M6
074	347A40-6	FAN COVER
075	422793-3	SUPPORT RING
076	266326-2	TAPPING SCREW 4X18
077	413K91-2	OUTER VALVE HOLDER
078	141L70-3	OUTER VALVE COMPLETE
079	266326-2	TAPPING SCREW 4X18
080	413K91-2	OUTER VALVE HOLDER
081	141L70-3	OUTER VALVE COMPLETE
082	8581G7-3	VC006GM NAME PLATE
083	421468-1	CORD SEAL
084	266326-2	TAPPING SCREW 4X18
085	413K94-6	SEAL STOPPER
086	141L68-0	TANK COVER COMPLETE
087	413K83-1	HOOK
088	213304-3	O RING 20
089	413K93-8	CAM
090	413K92-0	INNER VALVE HOLDER
091	266326-2	TAPPING SCREW 4X18

092	141L71-1	INNER VALVE COMPLETE
093	141L71-1	INNER VALVE COMPLETE
094	413K92-0	INNER VALVE HOLDER
095	266326-2	TAPPING SCREW 4X18
096	422944-8	SEAL RING A
097	638A41-8	LEAD UNIT
098	422932-5	SEAL RING B
099	413K75-0	FRONT STAND L
100	413K76-8	FRONT STAND R
101	266326-2	TAPPING SCREW 4X18
102	413K84-9	INNER COVER
103	266351-3	TAPPING SCREW 4X35
104	413K85-7	REAR STAND
105	1911B6-0	POWDER FILTER M SET
106	1911B4-4	DAMPER SET
107	1911B5-2	PRE FILTER SET
108	413K86-5	TOP PLATE
109	127480-6	LATCH ASSEMBLY
110	422943-0	SEAL RING C
111	266374-1	TAPPING SCREW 4X25
112	266420-0	TAPPING SCREW 5X20
113	422934-1	BUMPER B
114	457853-2	HOLDER PLATE
115	457852-4	HOLDER
116	413K78-4	HOSE HOOK
117	141L65-6	TANK COMPLETE
C10	800W80-2	CAUTION LABEL
118	649150-2	EARTH LINE 120
119	421468-1	CORD SEAL
120	213655-4	O RING 56
121	457851-6	INLET
122	413K81-5	INLET COVER
123	327A50-9	JOINT PIPE 20-343
124	168547-1	CASTER 75
125	457862-1	DRAIN BELT
126	422179-1	SEAL
127	457861-3	DRAIN CAP
128	347A42-2	PLATE
129	413K79-2	CASTER 170
130	266326-2	TAPPING SCREW 4X18
131	961060-6	RETAINING RING S-20
132	267299-2	FLAT WASHER 20
133	422933-3	BUMPER A
134	413K80-7	WHEEL CAP
135	266351-3	TAPPING SCREW 4X35
A01	199455-5	NOZZLE ASSEMBLY SET
A02	195433-3	HOSE COMPLETE 28-3.5 SET
C10	417191-4	CUFF LOCK
C20	417586-1	STOPPER
C30	417662-1	SLEEVE
C40	417766-9	FRONT CUFF 38

C50	417765-1	FRONT CUFF 22
C60	424379-9	FRONT CUFF 24
A03	195434-1	HOSE COMPLETE 38-2.5 SET
C10	417191-4	CUFF LOCK
C20	417306-3	SLEEVE
C30	417307-1	FRONT CUFF
C40	417586-1	STOPPER
A04	1910Y4-9	FILTER BAG SET
A05	192563-1	STRAIGHT PIPE SET 565-38
A06	192562-3	BENDING PIPE
A07	410306-2	CORNER NOZZLE
A08	195547-8	FRONT CUFF 22 SET
A09	195546-0	FRONT CUFF 24 SET
A10	422A02-6	CAP
A11	451350-0	STOPPER
A12	911138-5	P.H.SCREW M4X20 WITH WR
A13	198900-7	WIRELESS UNIT SET
A13-1	198900-7	WIRELESS UNIT SET
A13-2	198900-7	WIRELESS UNIT SET
F08	1910N0-0	FILTER FOR WATER SET
F43	1914Y6-9	ROTARY BRUSH NOZZLE SET
F44	1914Y7-7	ROTARY BRUSH NOZZLE SET
F96	422A02-6	CAP
G09	1912G4-5	TELESCOPIC PIPE COMPLETE SET
G10	1912G5-3	BENT PIPE COMPLETE SET
G11	413R35-4	STOPPER